

# SONA MATRIX DISPLAY

>> LED moving message display



## USER'S GUIDE

## *Easy Steps to Store Message*

- ❖ Connect the DC pin in the Power supply adaptor to the DC socket provided in the LED display.

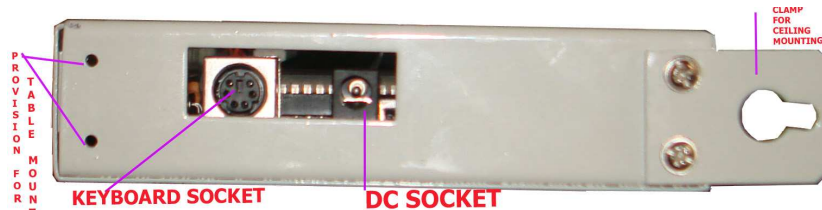


Fig. 1. shows the DC socket available in LED display

- ❖ Insert the power cord into power supply and switch it **ON** as shown in fig2



Fig.2. shows switching ON the power supply

- ❖ The default message "THANK YOU FOR PURCHASING SONA MATRIX DISPLAYS" will scroll on the LED display.
- ❖ To enter your own message, switch **OFF** the LED display and connect the keyboard to the keyboard socket provided in the LED display as shown in fig 2.

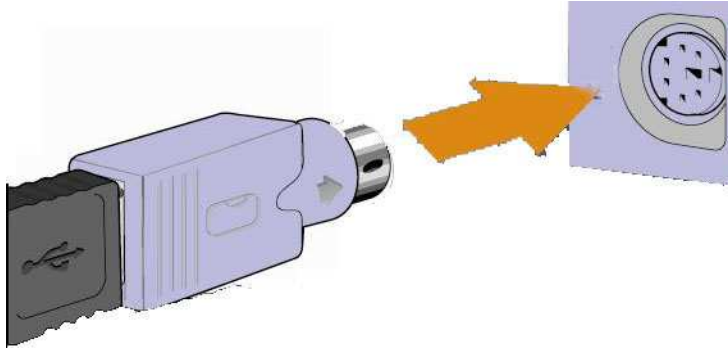


Fig.2.shows connecting keyboard to the keyboard socket in LED Display

Then switch ON the power supply.

- ❖ LED display points at the next character of end of stored message which is known as typing point.

The typing point is always at the next place of screen end. Typing point is immovable, only we can move the stored characters to the typing point.

Just move the typing place to the typing point using Home key or pressing left arrow key for while till you reach.

**Note:** Press arrow keys or home key which present in the num lock section of keyboard as shown in fig.3.



Fig.3.shows navigation keys

❖ Now start typing your own message using any of these functions keys

- F1- English Normal
  - F2- English Bold
  - F3- Tamil
  - F9-Graphic Animation
- F5-Still Message

**To type tamil characters from keyboard refer chart no.1a and chart no.1b**




When you press any of the mentioned function key, any of these images could appear on the screen,  or  or .It is just an indication for the user and a reference for processor inside LED display. Don't worry, it won't appear while the message is scrolling. Don't Delete that.



Fig4.Shows Function keys

- ❖ You can enter 16 character or less (Including space & Function keys) in single visible frame. Once 16 characters or less has reached, you should save them into the memory by pressing ENTER key one time. Otherwise you don't get response for any key pressed.



Fig5.Shows enter key

- ❖ You have to repeat the above step for every visible frame, till you reach the last character of the message to be stored.
- ❖ Once the last character has reached, press F12 key to indicate that this is the end of your message. Fig.6 shows the function key F12



Fig.6.Shows Function key F12

- ❖ You can edit character using backspace or delete key before storing into the memory i.e. before you pressing enter key for every frame.

- To delete last character press Backspace

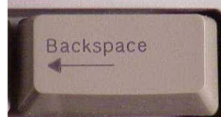


Fig.7.Shows backspace key

- To delete all characters in visible frame, press Del key in the num lock section



Fig.8.Shows delete key in Num Lock

Section

- ❖ Once you stored your message, you can't edit any single character. Don't be panic, but you can overwrite or retype from where the mistake occurred.



So care should be taken before storing the message.

- ❖ Once you finished typing all your message and pressed F12, you can play the message by

- Pressing the ESC Key



OR

- Switch OFF the Display, unplug keyboard from keyboard connector and then switch it ON.

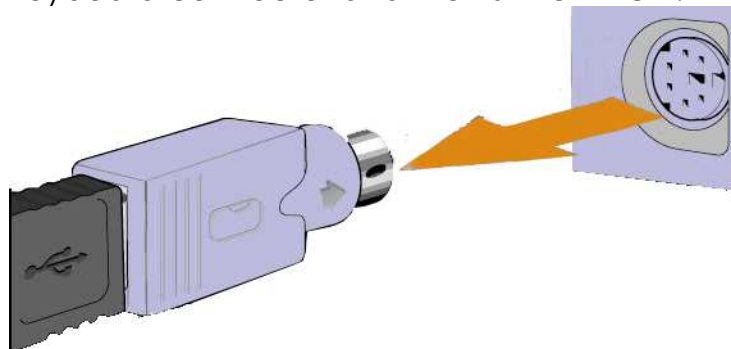


Fig.9. Shows disconnecting keyboard from keyboard socket in the LED display

**You can notice that your message will scroll in the display.**